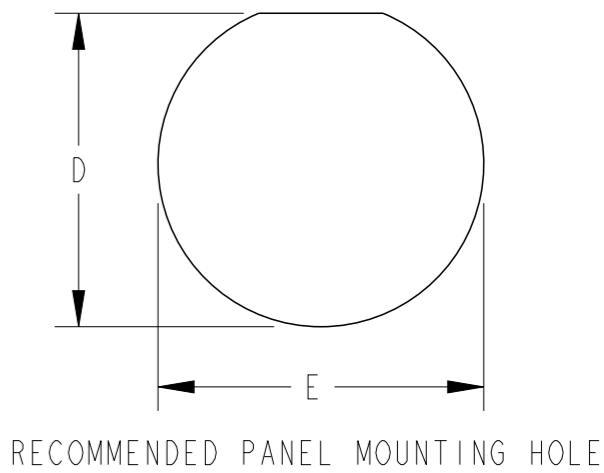
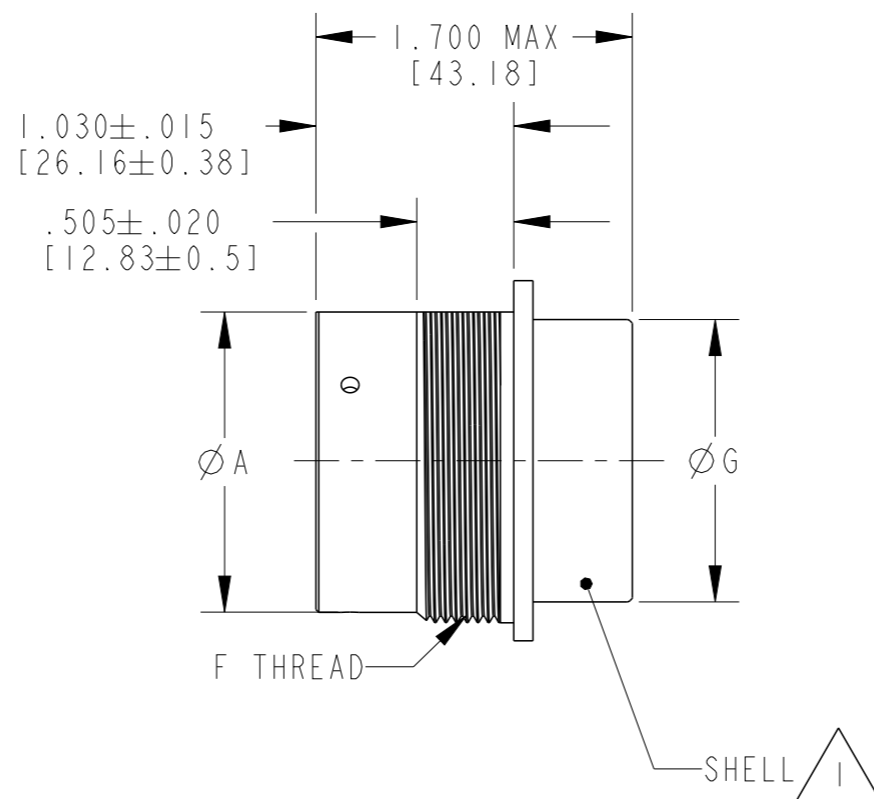
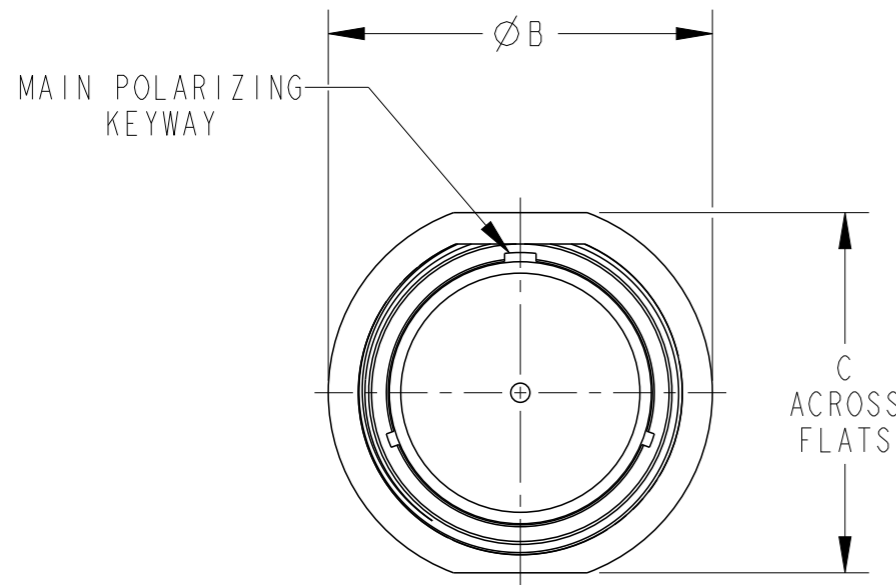


THIS DRAWING IS UNPUBLISHED  
 RELEASED FOR PUBLICATION 2014  
 © COPYRIGHT 2014 BY TE CONNECTIVITY ALL RIGHTS RESERVED.

LOC	DIST	REVISIONS				
P	LTR	DESCRIPTION	DATE	DWN	APVD	
-	-	NC	NEW RELEASE PER E.O. A1414	16MAY1984	-	MM
		A	REVISED/REDRAWN PER E.O. P21334	02APR2012	-	RDR
		A1	REVISED PER ECO-15-001798	19AUG2014	PV	DM



SHELL SIZE XX	A	B ±.010 [±.254]	C MAX.	D +.010/- .000 [+0.25/- .000]	E ±.005 [±0.12]	F THREAD REF	G
18	1.329 [33.75]	1.750 [44.45]	1.625 [41.27]	1.442 [36.62]	1.507 [38.27]	1.500 - 18 UNEF	1.220 [30.98]
24	1.579 [40.10]	2.000 [50.8]	1.875 [47.62]	1.632 [41.45]	1.696 [43.07]	1.6875 - 18 UNEF	1.470 [37.33]

2. RECOMMENDED PANEL THICKNESS .062[1.57] MIN. TO .1875[4.76] MAX.

1. MATERIAL: SHELL : ALUMINUM.

THIS DRAWING IS A CONTROLLED DOCUMENT.

DWN 30OCT2014 VIJETH BHARADWAJ  
 CHK 31OCT2014 I. GRANTCHAROVA  
 APVD 31OCT2014 D. MEYER

NAME: COVER, PROTECTIVE BAYONET COUPLING (TO MATE WITH PLUG)

TE Connectivity

STE

DIMENSIONS: INCHES [mm]	TOLERANCES UNLESS OTHERWISE SPECIFIED:	PRODUCT SPEC	SIZE	CAGE CODE	DRAWING NO	RESTRICTED TO
	0 PLC ± 1 PLC ± 2 PLC ± 3 PLC ±.010 [±.254] 4 PLC ± ANGLES ±0° 30' 0"	-	A3	-	©HDC34-XX-1E	-
MATERIAL SEE NOTE	FINISH -	APPLICATION SPEC	SCALE	SHEET	OF	REV A1

Customer Drawing